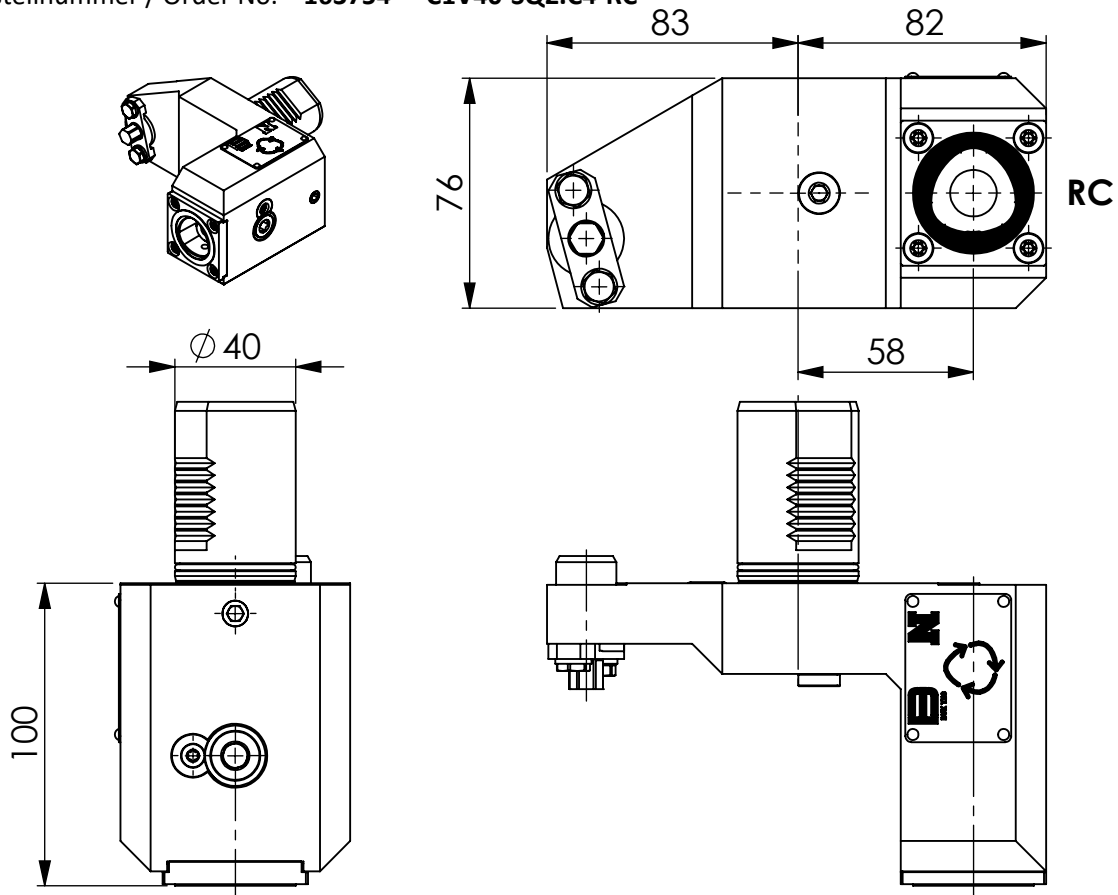


SPANNEINHEIT PSC40, GERADE CLAMPING UNIT PSC40, AXIAL

Bestellnummer / Order No. 163754 - C1V40-SQ2.C4-RC



Technische Daten Technical specifications

| Schaft Shank | Spannbereich clamping range | Kühlungsart Coolant Type | Druck Pressure | Richtung Direction | Gewicht weight |
|-----------------|--|-----------------------------|-------------------|-----------------------|-------------------|
| Ø mm | Ø mm | Emulsion | p max bar | | kg |
| 40 VDI | Polygon - DIN ISO 26623-2 - PSC40 - RC | ext./int. | 80 | ger./str. | 4.64 |

Erforderliches Zubehör nicht im Lieferumfang enthalten
necessary equipment not included

| Spannzangensatz collet set test | Spannschlüssel Clamping wrench | Hakenschlüssel Hook wrench |
|------------------------------------|-----------------------------------|-------------------------------|
| - | - | - |